

PART NAME

NEMA 4 ENCLOSURE

PART No.

AN-1305, AN-1305-G, AN-2805 & AN-2805-B

REV. DATE

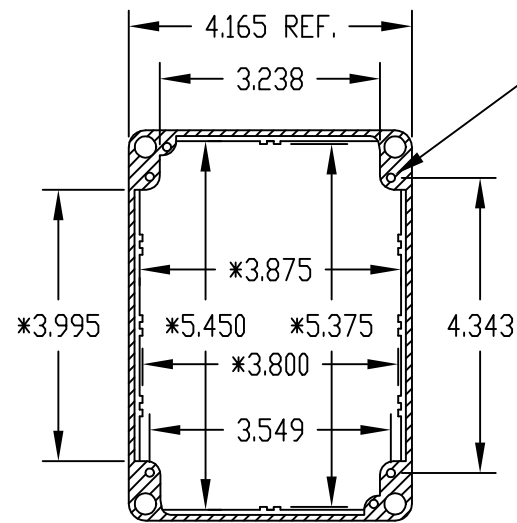
12-6-07

MATERIAL: ALUMINUM ALLOY #ADC-12

FINISH: NATURAL (NO SUFFIX)
 GRAY (SUFFIX -G)
 SMOOTH BLACK (SUFFIX -B)

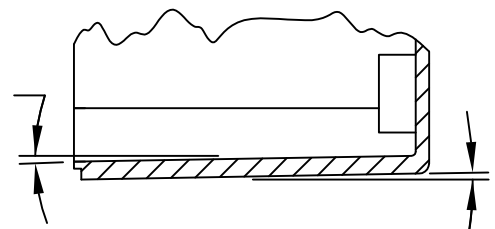
NOTES:

- 1) FOUR (4) M4 x 20mm (0.787") LG. SCREWS SUPPLIED FOR ASSEMBLY OF COVER TO BODY.
- 2) ALL HOLE DIAMETERS HAVE ±0.005 TOLERANCE
 ALL OTHER DIMENSIONS HAVE ±0.015 TOLERANCE



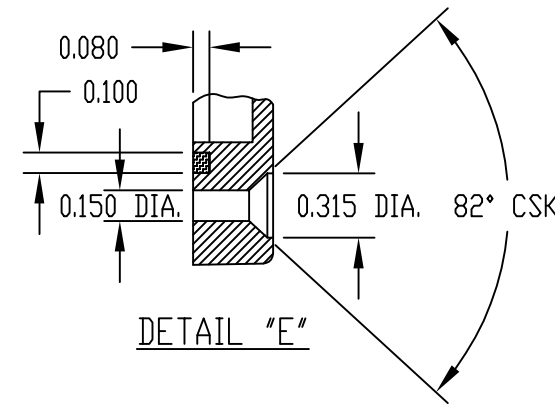
0.125 DIA. x 0.250 DEEP
 (4) PLACES
 ACCEPTS M3.5 x 6mm
 SELF-TAPPING SCREW
 (NOT SUPPLIED)

1° DRAFT REF.



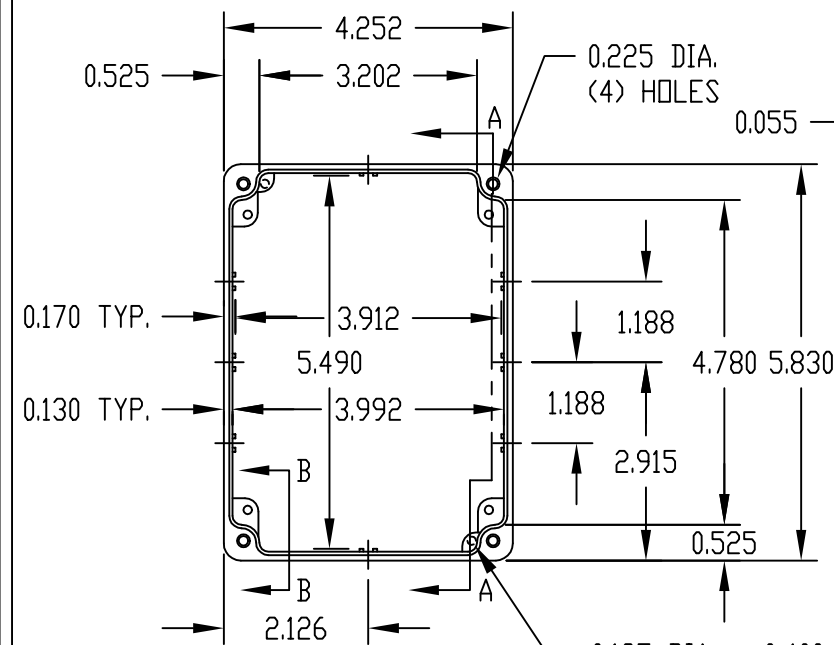
SECTION "B-B"

1° DRAFT REF.

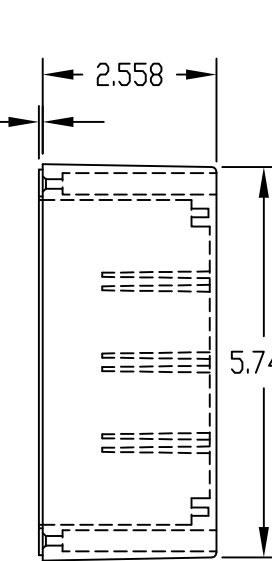


DETAIL "E"

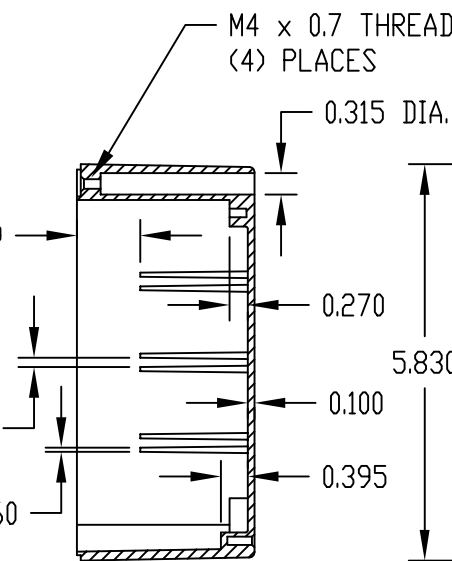
SECTION "C-C"
 * DIMENSIONS ARE AT
 BOTTOM OF ENCLOSURE



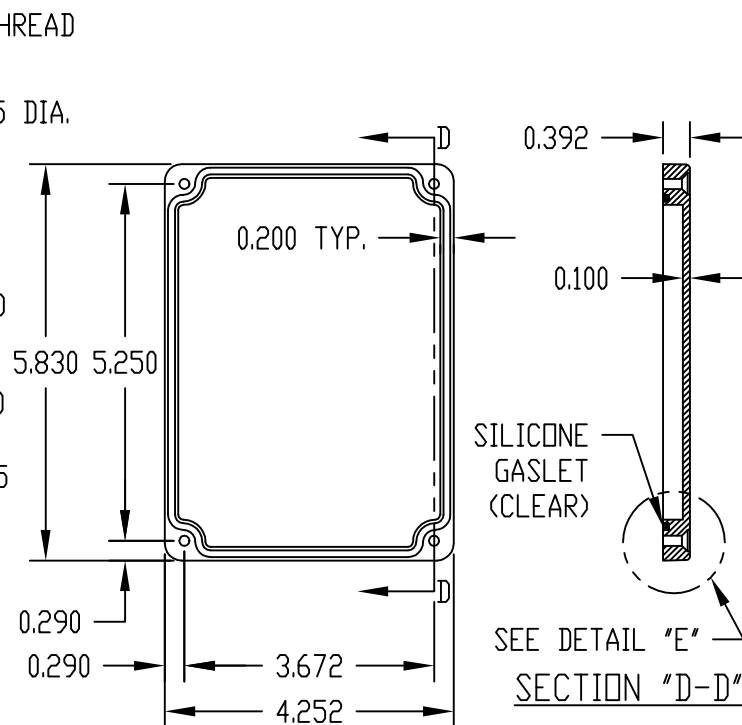
BODY



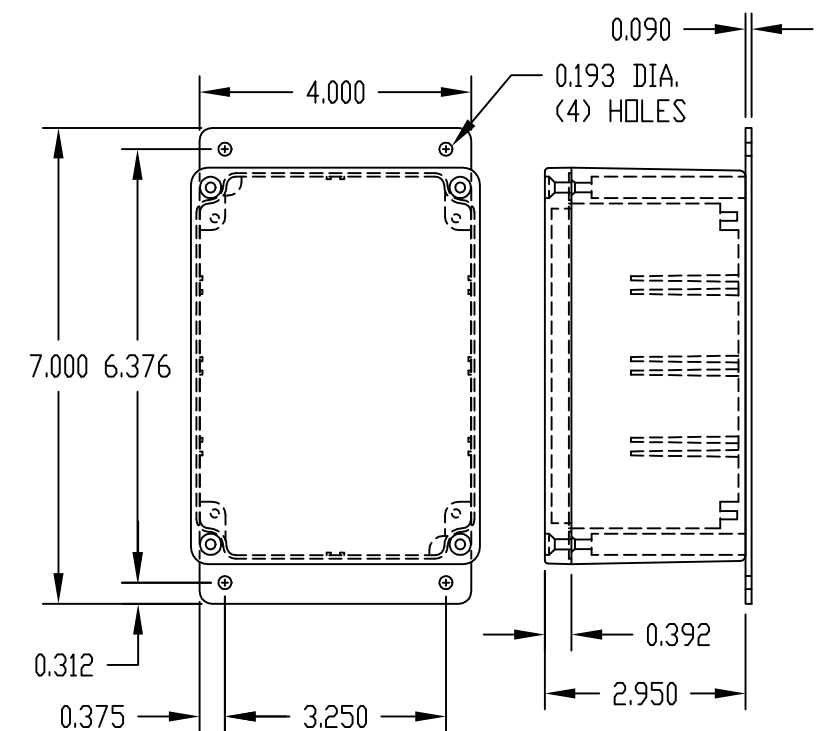
SECTION "A-A"



COVER



SILICONE GASLET
 (CLEAR)
 SEE DETAIL "E"
 SECTION "D-D"



PART NO. AN-2805 & AN-2805-B
 ARE SUPPLIED WITH A WELDED
 ON MOUNTING BRACKET ONLY.